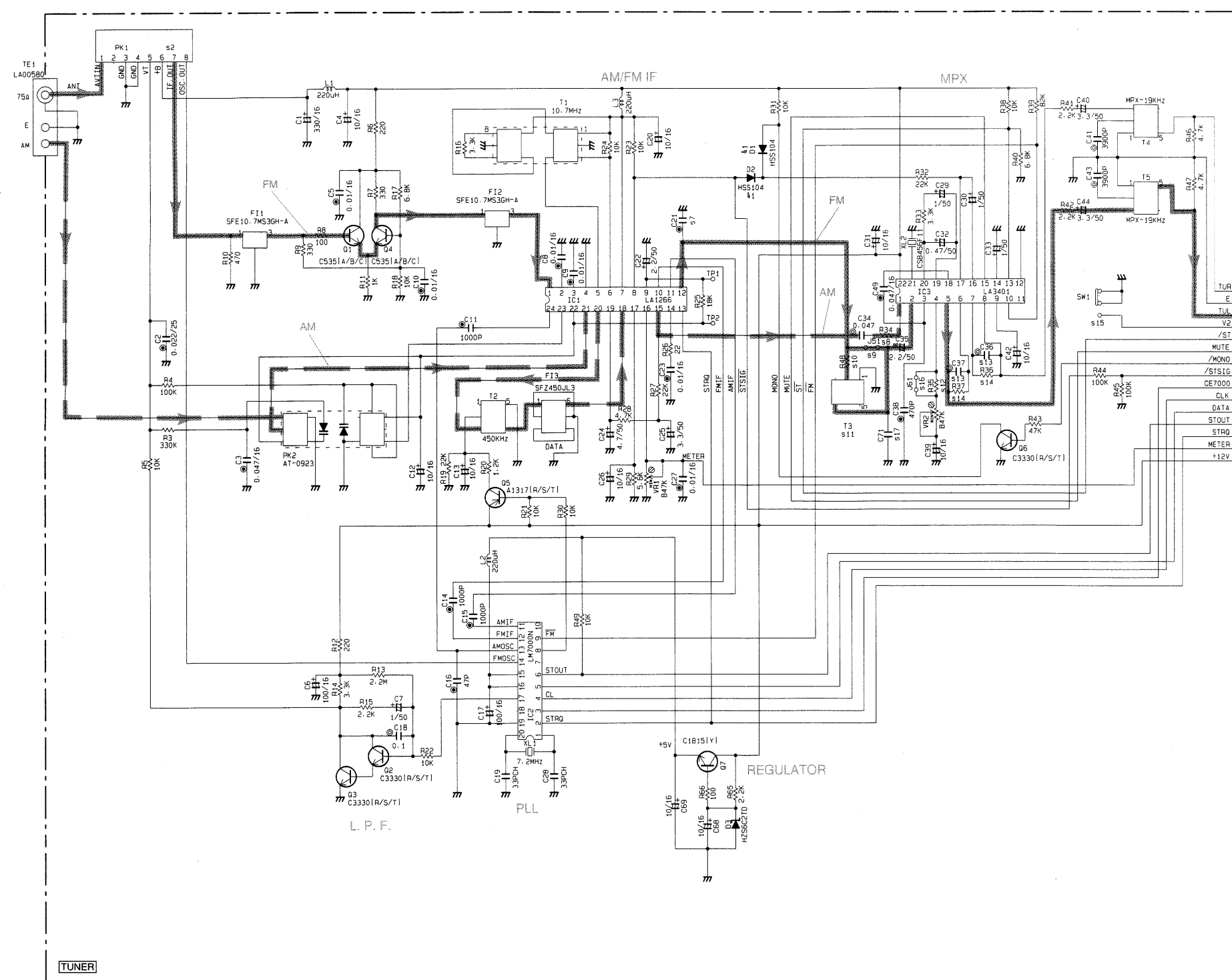


■ SCHEMATIC DIAGRAM (TUNER & OPERATION)

①, ④ and ⑤: TEST POINT WAVEFORMS (See page 24)

Each voltage given here represents that in the FM (88.1MHz, STEREO) reception mode but the one in the parentheses () is that in the AM (1080kHz, MAN'L) reception mode.

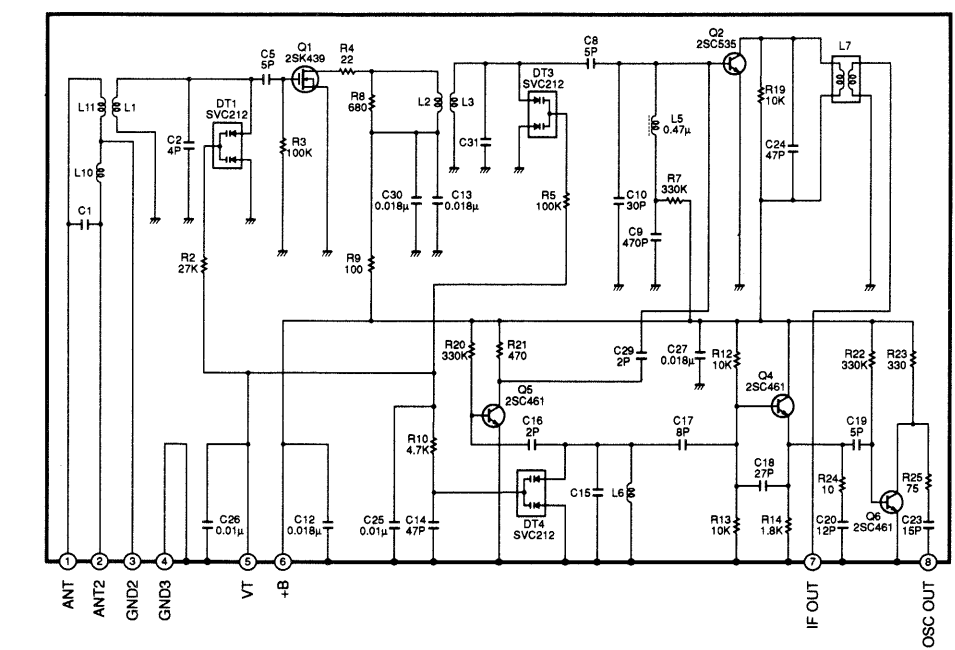


	U.C.	R	#	S
1				
2	P41	V424207	V424230	V399150
3				
4				
5				
6				
7	C21	100P	100P	X
8	R34	15K	15K	10K 27K
9	R26	10K	10K	X
10	R48	X	X	4.7K
11	L13	X	X	V426510
12	R35	22K	22K	22K X
13	C36	37	680P	680P 200P
14	R38	37	100K	100K 100K 100K
15	S41	X	V454135	X
16	S43	X	X	X
17	C71	X	X	100P*

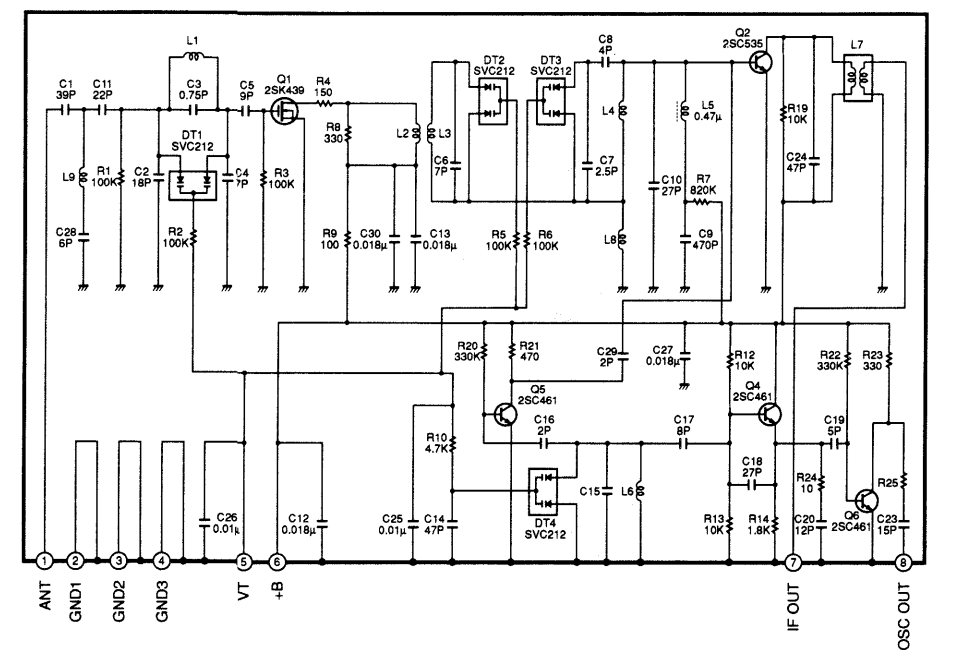
Interchangeable Parts at Manufacture Stage

Part No.	Reference Part Number	Part Name
11	P41	V424207
12	P41	V424230
13	P41	V399150

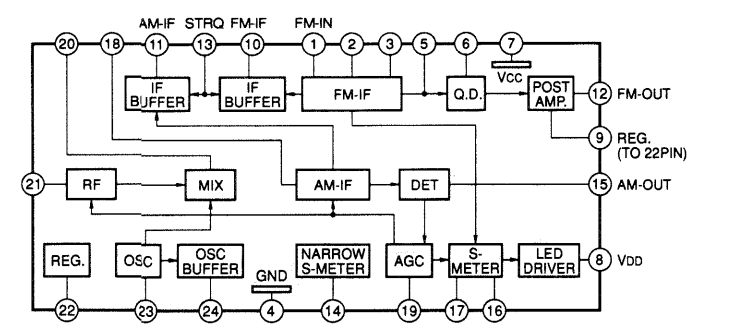
● Except G model
PK1 : ENV-17297GI (VR242200)



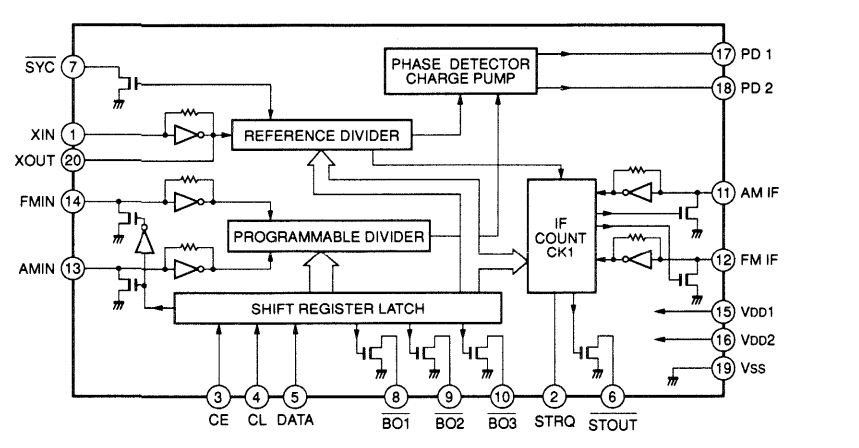
● G model
PK1 : ENV-17297GI (VQ987600)



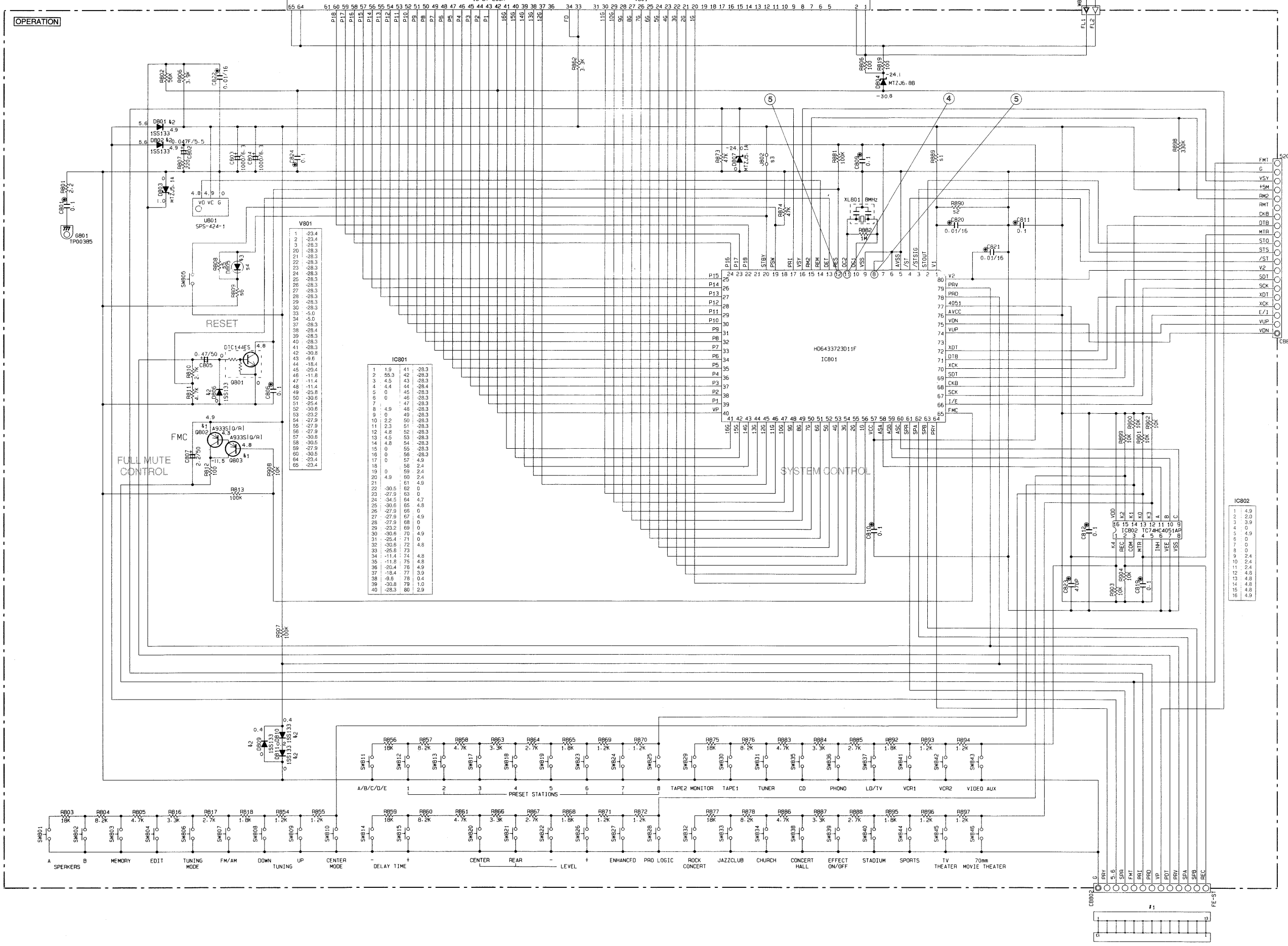
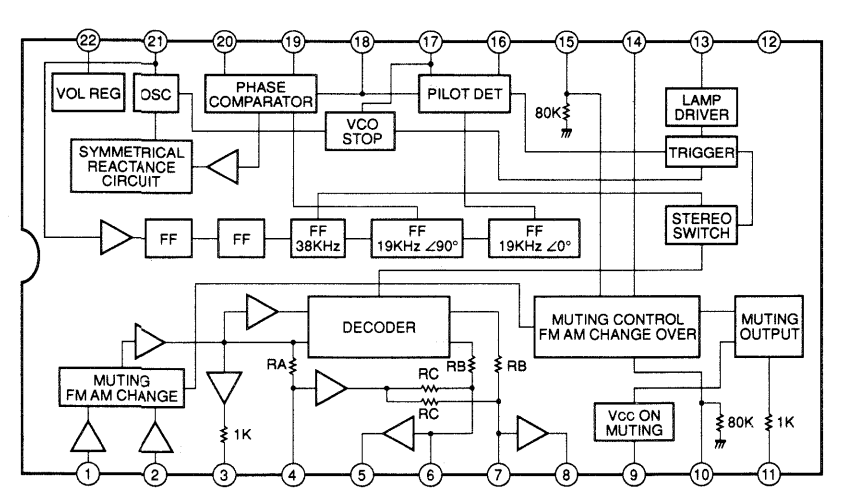
IC1 : LA1266
AM/FM IF



IC2 : LM7000N
PLL Controller



IC3 : LA3401
MPX



CAPACITOR

Symbol	Part Name
□	ALUMINUM ELECTROLYTIC CAPACITOR
◇	TANTALUM CAPACITOR
■	MONOLITHIC CERAMIC CAPACITOR
●	CERAMIC DISK CAPACITOR
○	POLYESTER FILM CAPACITOR
○	POLYPROPYLENE FILM CAPACITOR
○	MICA CAPACITOR
○	POLYPROPYLENE FILM CAPACITOR
○	SEMICONDUCTIVE CERAMIC CAPACITOR

RESISTOR

Symbol	Part Name
□	CARBON FILM RESISTOR (P1)
□	CARBON FILM RESISTOR (P2)
△	METAL OXIDE FILM RESISTOR
△	METAL FILM RESISTOR
△	METAL GLAZE RESISTOR
△	FIRE PROOF CARBON FILM RESISTOR
△	CEMENT MODULE RESISTOR
△	SEMI VARIABLE RESISTOR
■	CHIP RESISTOR

Interchangeable Parts at Manufacture Stage

Part No.	Reference Part Number	Part Name
41	DA00-003	DA0001001
42	DA01-001-000-011	DA0001001
43	DA05	DA0001001

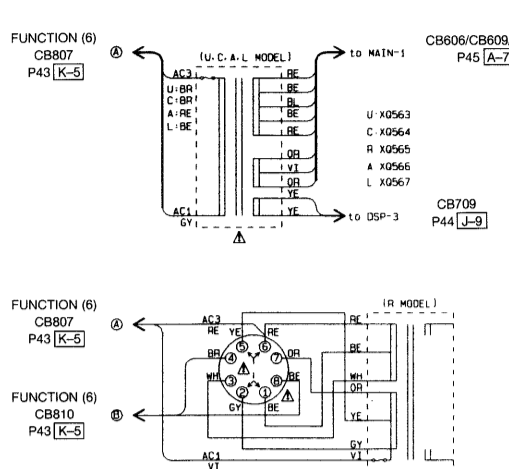
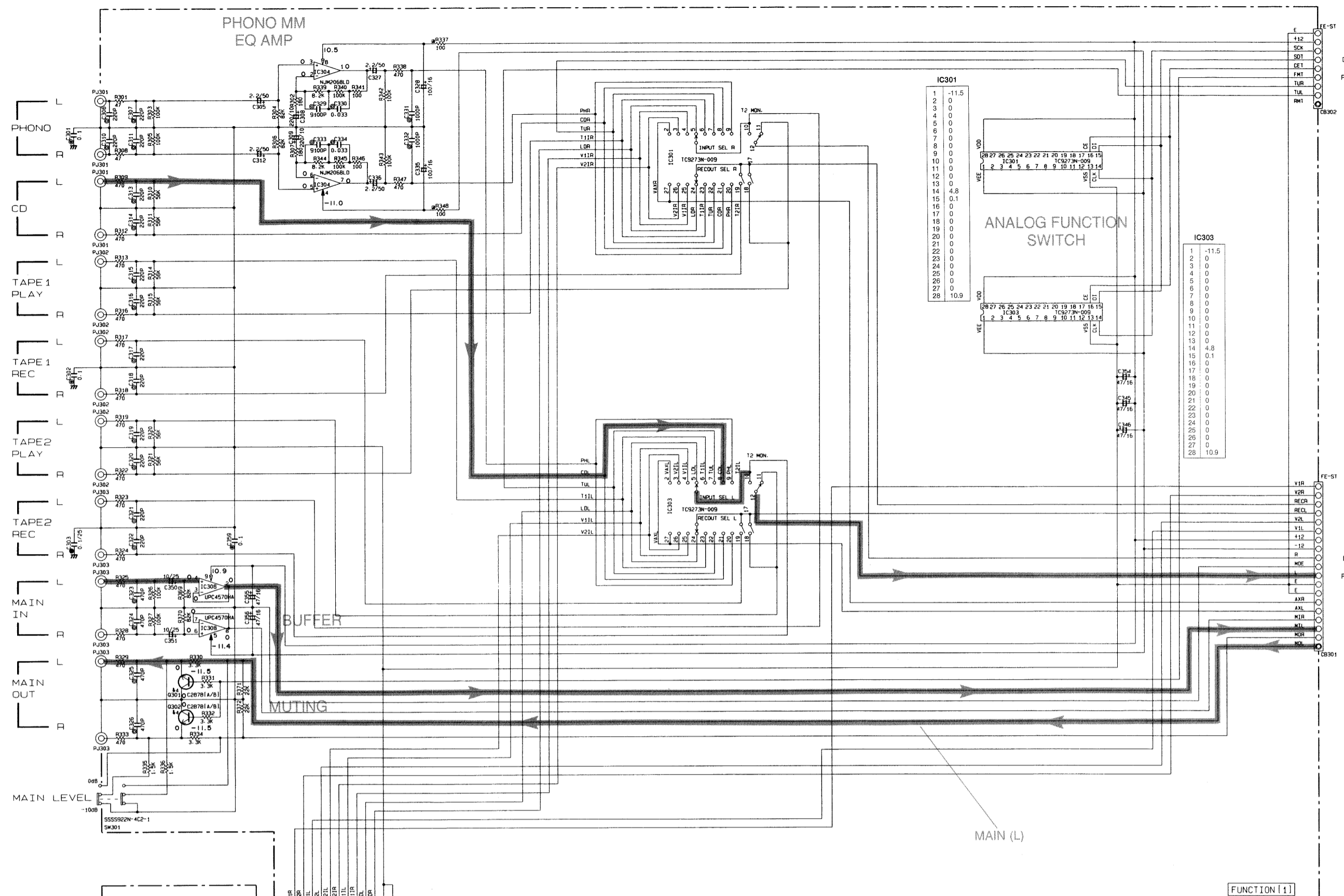
Component List

Component No.	U.C.	R	S	L
1	100P	10K	20K	10K
2	100P	10K	1.5K	27K
3	100P	10K	10K	X
4	100P	X	X	10K 20K 20K
5	100P	X	X	10K
6	100P	X	X	27K
7	100P	X	X	10K
8	100P	X	X	10K
9	100P	X	X	10K
10	100P	X	X	10K

* All voltage are measured with a 10MΩ/DC electric volt meter.
 * Components having special characteristics are marked Δ and must be replaced with parts having specifications equal to those originally installed.
 * Schematic diagram is subject to change without notice.

■ SCHEMATIC DIAGRAM (FUNCTION)

③ : TEST POINT WAVEFORMS (See page 24)



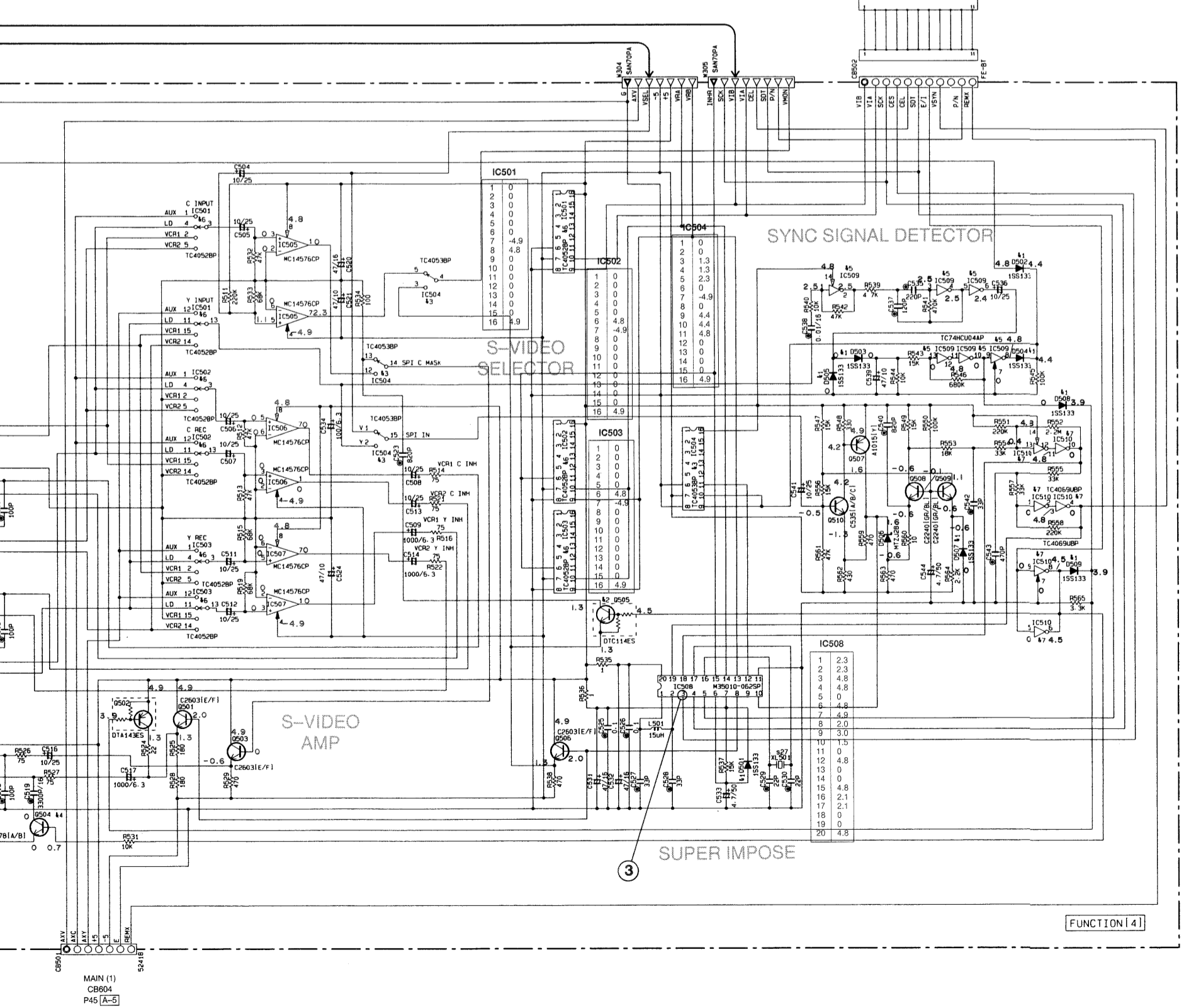
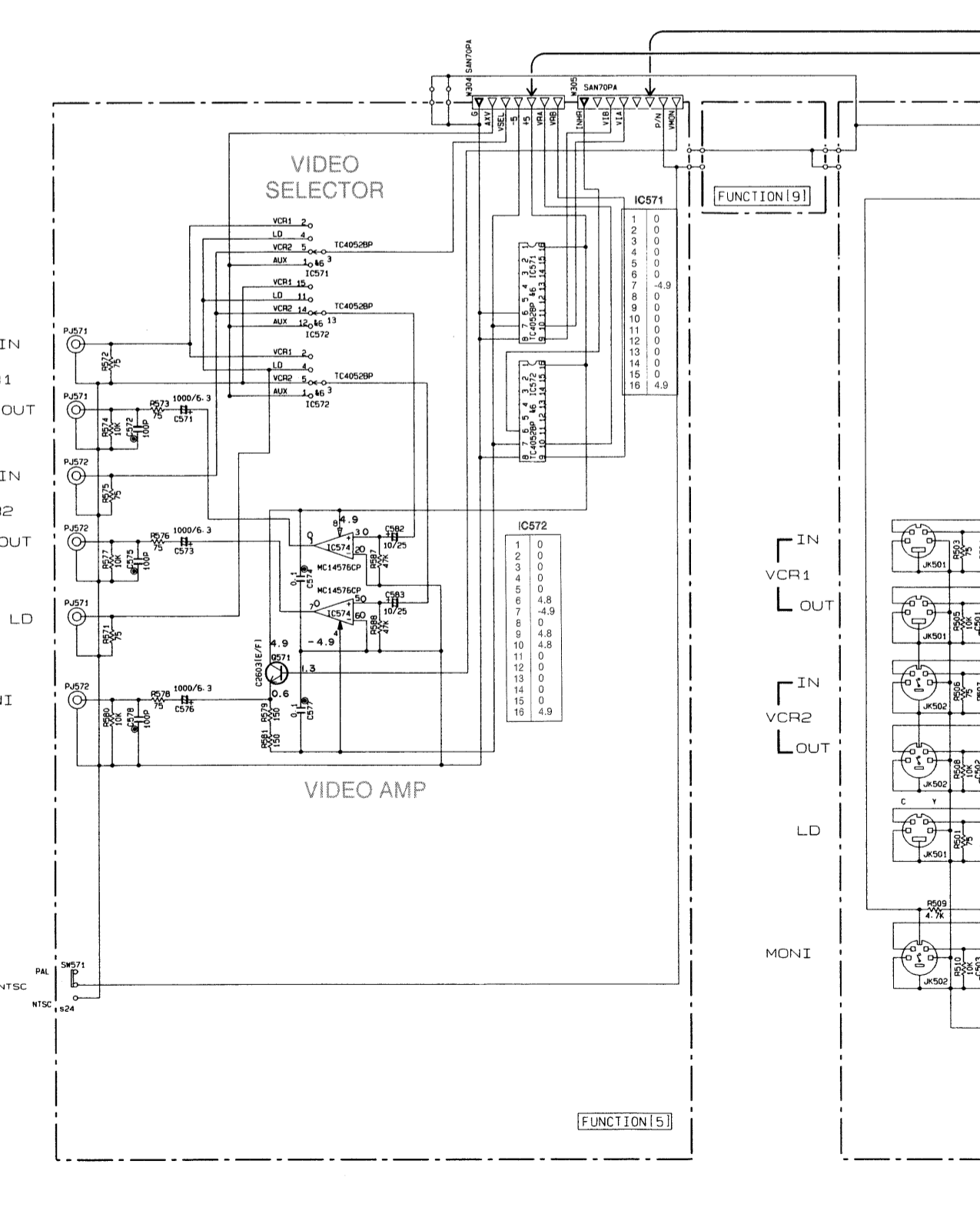
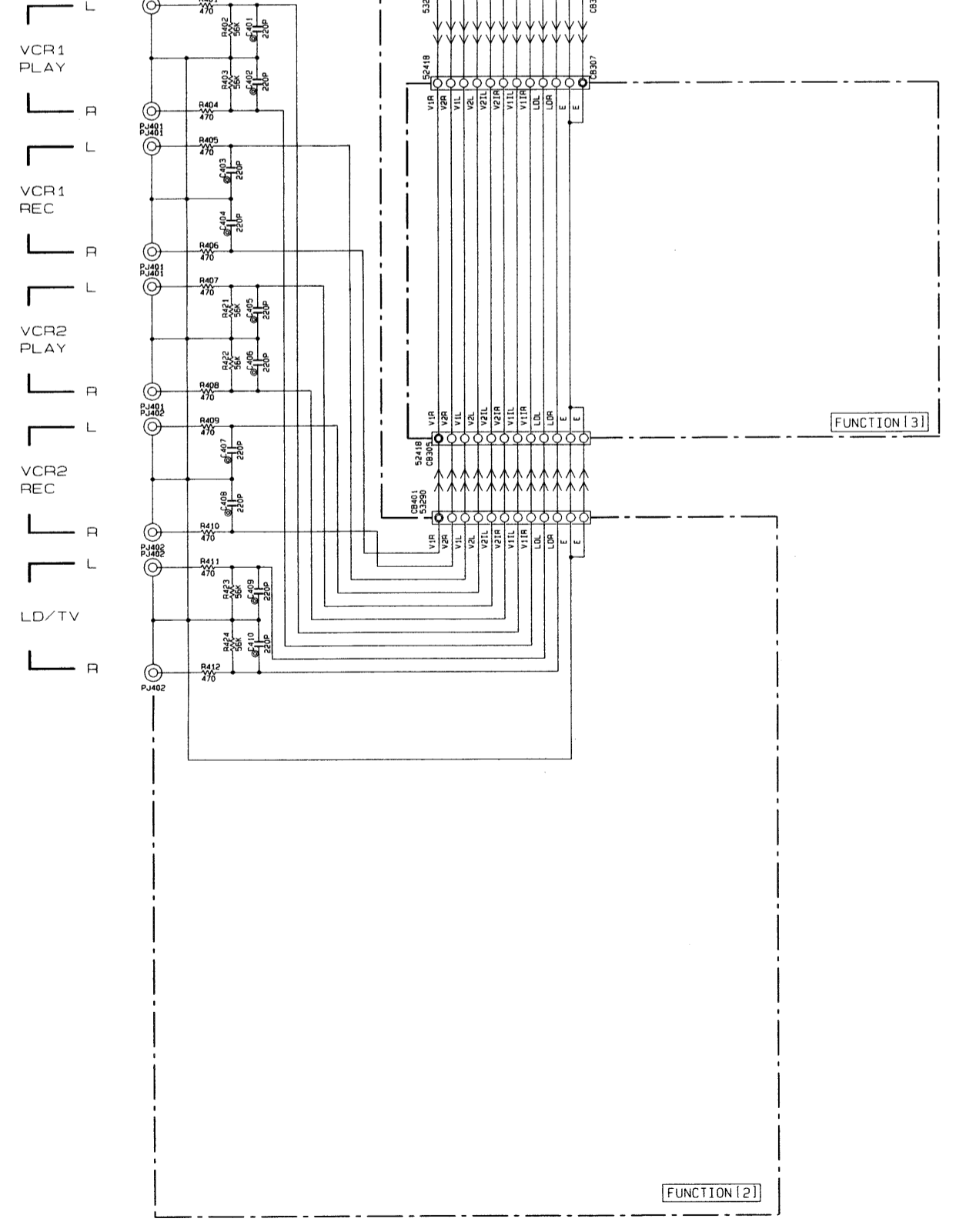
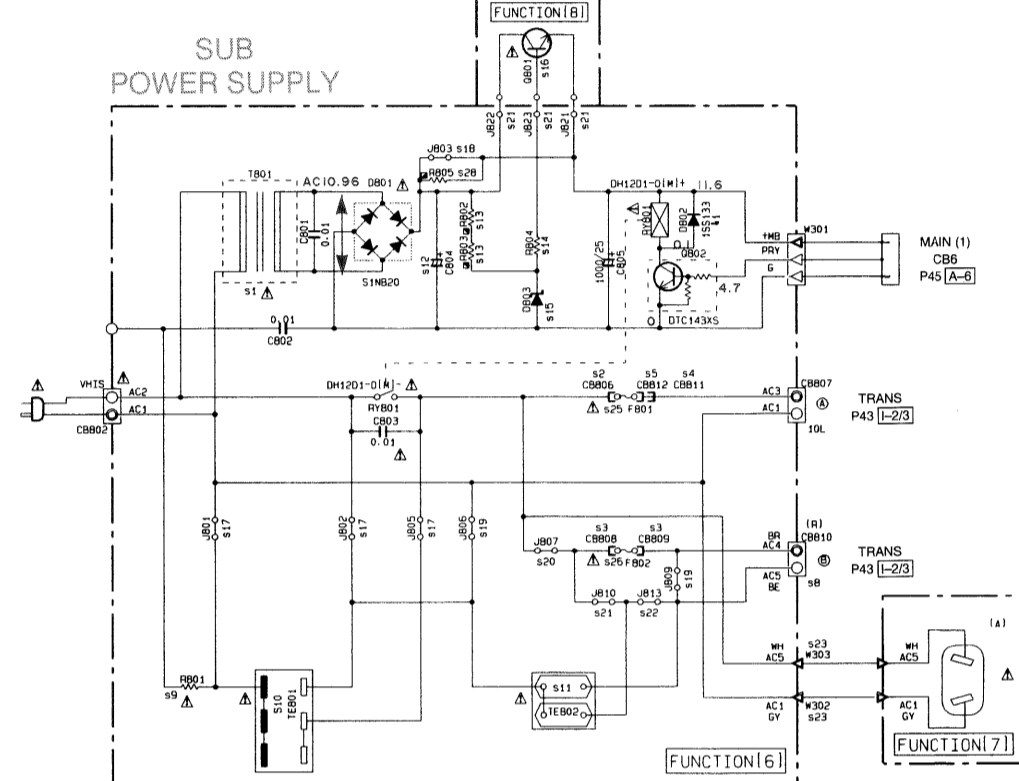
NOTICE
 (J) Japanese mode
 (U) U.S.A. mode
 (C) Canadian mode
 (A) Australian mode
 (G) European mode
 (E) British mode
 (D) German mode
 (S) SP mode

RESISTOR	PARTS NAME
□	CARBON FILM RESISTOR (F-1)
○	CARBON FILM RESISTOR (F-10)
△	METAL FILM RESISTOR
◇	METAL FILM RESISTOR
◇	WIRE WOUND CARBON FILM RESISTOR
◇	TEMPERATURE COMPENSATED RESISTOR
◇	SEMI-VARIABLE RESISTOR
◇	CHIP RESISTOR

CAPACITOR	PARTS NAME
□	ELECTROLYTIC CAPACITOR
○	TANTALUM CAPACITOR
◇	CERAMIC TUBULAR CAPACITOR
◇	POLYESTER FILM CAPACITOR
◇	POLYSTYRENE FILM CAPACITOR
◇	MICA CAPACITOR
◇	POLYPROPYLENE FILM CAPACITOR
◇	SEMICONDUCTIVE CERAMIC CAPACITOR

Interchangeable Parts at Manufacture Stage

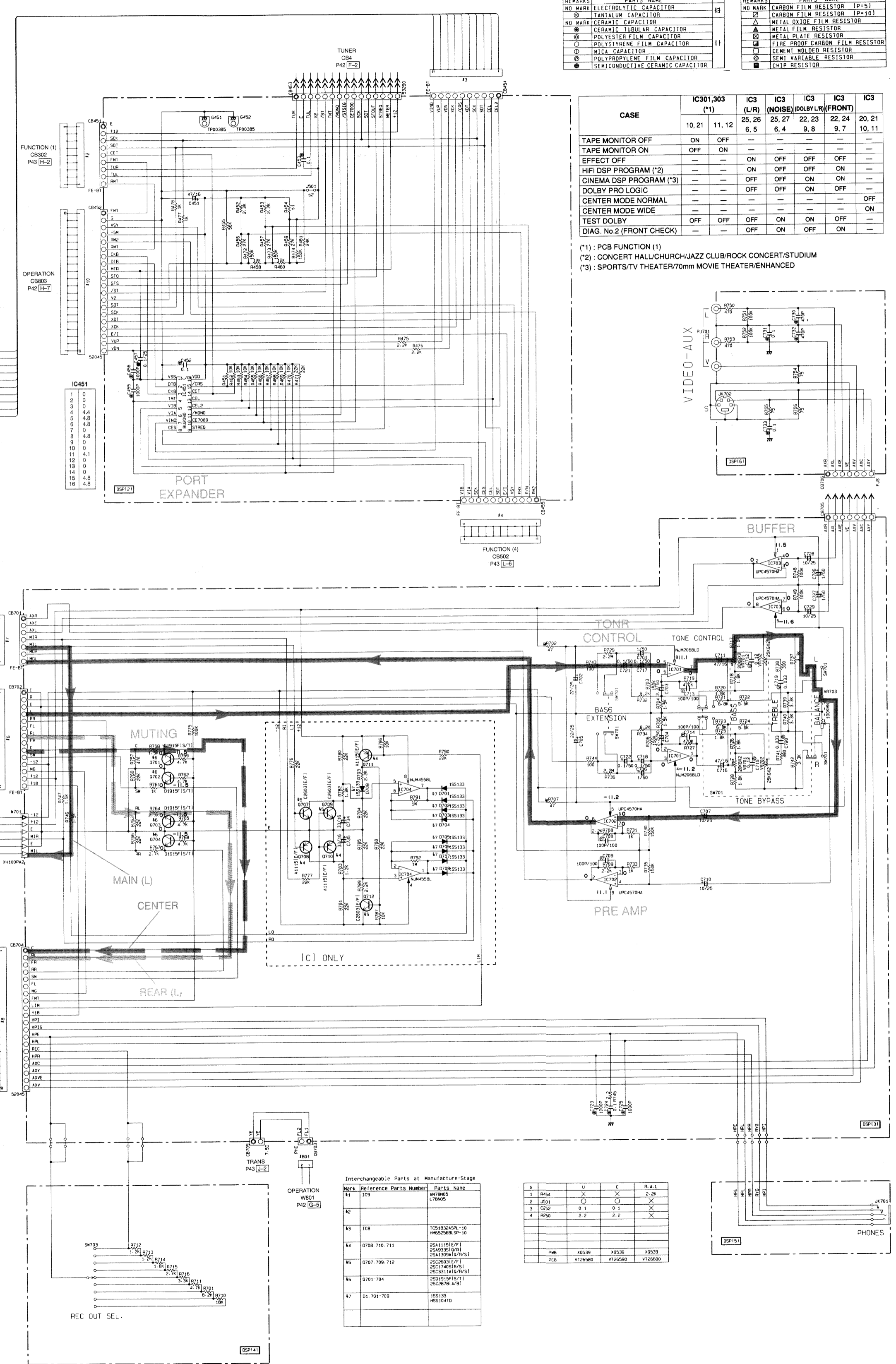
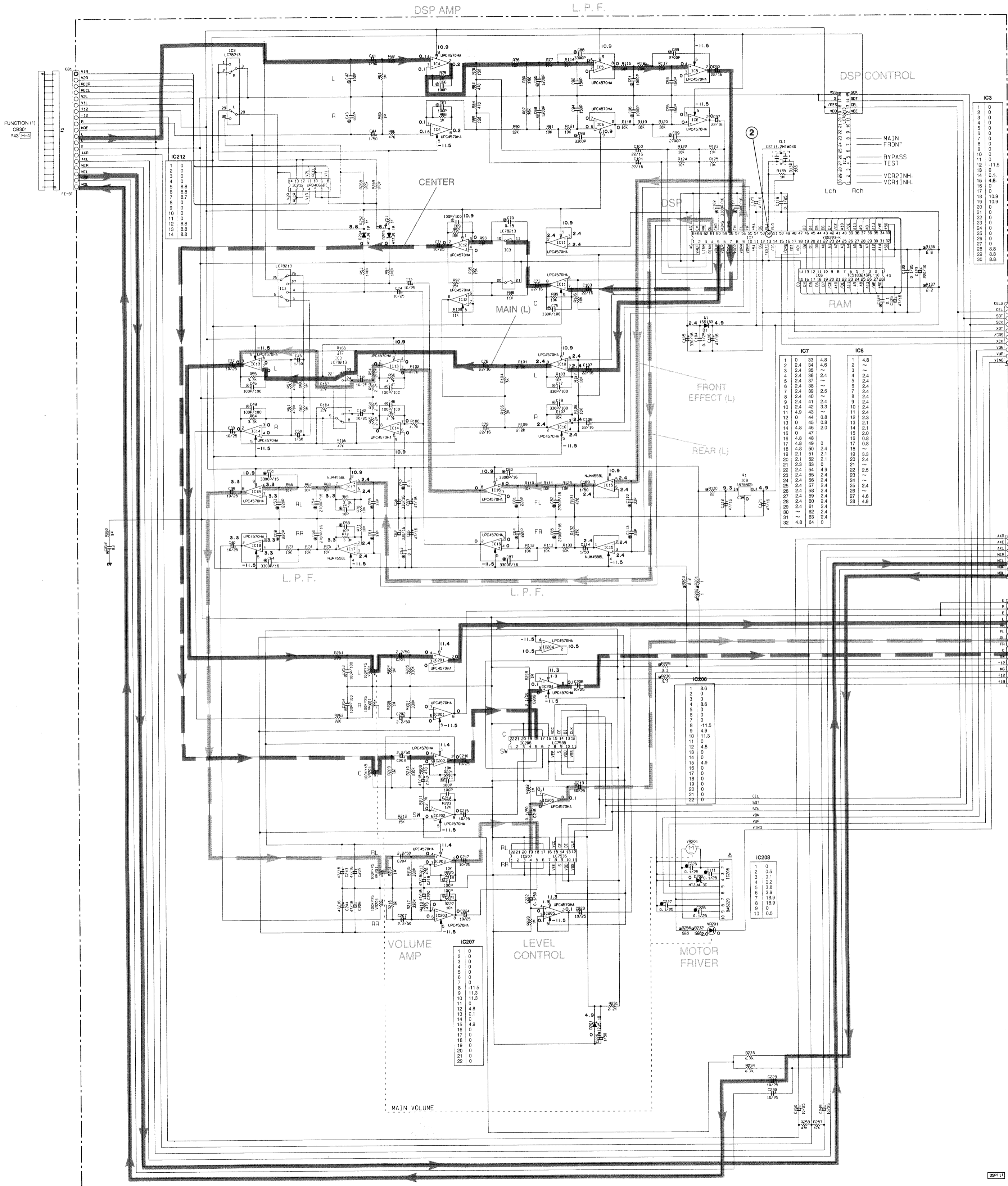
NO.	MARK	REVISION	DATE	BY	REASON
1	1001	1001	1001	1001	1001
2	1002	1002	1002	1002	1002
3	1003	1003	1003	1003	1003
4	1004	1004	1004	1004	1004
5	1005	1005	1005	1005	1005
6	1006	1006	1006	1006	1006
7	1007	1007	1007	1007	1007
8	1008	1008	1008	1008	1008
9	1009	1009	1009	1009	1009
10	1010	1010	1010	1010	1010
11	1011	1011	1011	1011	1011
12	1012	1012	1012	1012	1012
13	1013	1013	1013	1013	1013
14	1014	1014	1014	1014	1014
15	1015	1015	1015	1015	1015
16	1016	1016	1016	1016	1016
17	1017	1017	1017	1017	1017
18	1018	1018	1018	1018	1018
19	1019	1019	1019	1019	1019
20	1020	1020	1020	1020	1020
21	1021	1021	1021	1021	1021
22	1022	1022	1022	1022	1022
23	1023	1023	1023	1023	1023
24	1024	1024	1024	1024	1024
25	1025	1025	1025	1025	1025
26	1026	1026	1026	1026	1026
27	1027	1027	1027	1027	1027
28	1028	1028	1028	1028	1028
29	1029	1029	1029	1029	1029
30	1030	1030	1030	1030	1030



* All voltage are measured with a 10MΩ/DC electric volt meter.
 * Components having special characteristics are marked Δ and must be replaced with parts having specifications equal to those originally installed.
 * Schematic diagram is subject to change without notice.

SCHEMATIC DIAGRAM (DSP)

TEST POINT WAVEFORMS (See page 24)



CAPACITOR	PARTS NAME	RESISTOR	PARTS NAME
10	10K ELECTROLYTIC CAPACITOR	20	20K CARBON FILM RESISTOR (P-5)
100	100K LANTERN CAPACITOR	100	100K CARBON FILM RESISTOR (P-10)
1000	1000K CERAMIC CAPACITOR	1000	1000K METAL OXIDE FILM RESISTOR
10000	10000K CERAMIC CAPACITOR	10000	10000K METAL FILM RESISTOR
100000	100000K POLYESTER FILM CAPACITOR	100000	100000K METAL FILM RESISTOR
1000000	1000000K POLYESTER FILM CAPACITOR	1000000	1000000K FIRE PROOF CARBON FILM RESISTOR
10000000	10000000K POLYESTER FILM CAPACITOR	10000000	10000000K CERAMIC NOISE RESISTOR
100000000	100000000K POLYESTER FILM CAPACITOR	100000000	100000000K 5W1 VARIABLE RESISTOR
1000000000	1000000000K POLYESTER FILM CAPACITOR	1000000000	1000000000K 5W1 VARIABLE RESISTOR
10000000000	10000000000K POLYESTER FILM CAPACITOR	10000000000	10000000000K 5W1 VARIABLE RESISTOR
100000000000	100000000000K POLYESTER FILM CAPACITOR	100000000000	100000000000K 5W1 VARIABLE RESISTOR
1000000000000	1000000000000K POLYESTER FILM CAPACITOR	1000000000000	1000000000000K 5W1 VARIABLE RESISTOR
10000000000000	10000000000000K POLYESTER FILM CAPACITOR	10000000000000	10000000000000K 5W1 VARIABLE RESISTOR
100000000000000	100000000000000K POLYESTER FILM CAPACITOR	100000000000000	100000000000000K 5W1 VARIABLE RESISTOR
1000000000000000	1000000000000000K POLYESTER FILM CAPACITOR	1000000000000000	1000000000000000K 5W1 VARIABLE RESISTOR
10000000000000000	10000000000000000K POLYESTER FILM CAPACITOR	10000000000000000	10000000000000000K 5W1 VARIABLE RESISTOR

CASE	IC301,303	IC3	IC3	IC3	IC3	IC3
	(*)	(L/R)	(NOISE)	(DOLBY L/R)	(FRONT)	
TAPE MONITOR OFF	ON	OFF	OFF	OFF	OFF	OFF
TAPE MONITOR ON	OFF	ON	---	---	---	---
EFFECT OFF	---	---	ON	OFF	OFF	OFF
HIF DSP PROGRAM (2)	---	---	ON	OFF	OFF	ON
CINEMA DSP PROGRAM (3)	---	---	OFF	OFF	ON	---
DOLBY PRO LOGIC	---	---	---	---	---	---
CENTER MODE NORMAL	---	---	---	---	---	OFF
CENTER MODE WIDE	---	---	---	---	---	4.8
TEST DOLBY	OFF	OFF	ON	ON	OFF	---
DIAG No.2 (FRONT CHECK)	---	---	OFF	ON	OFF	ON

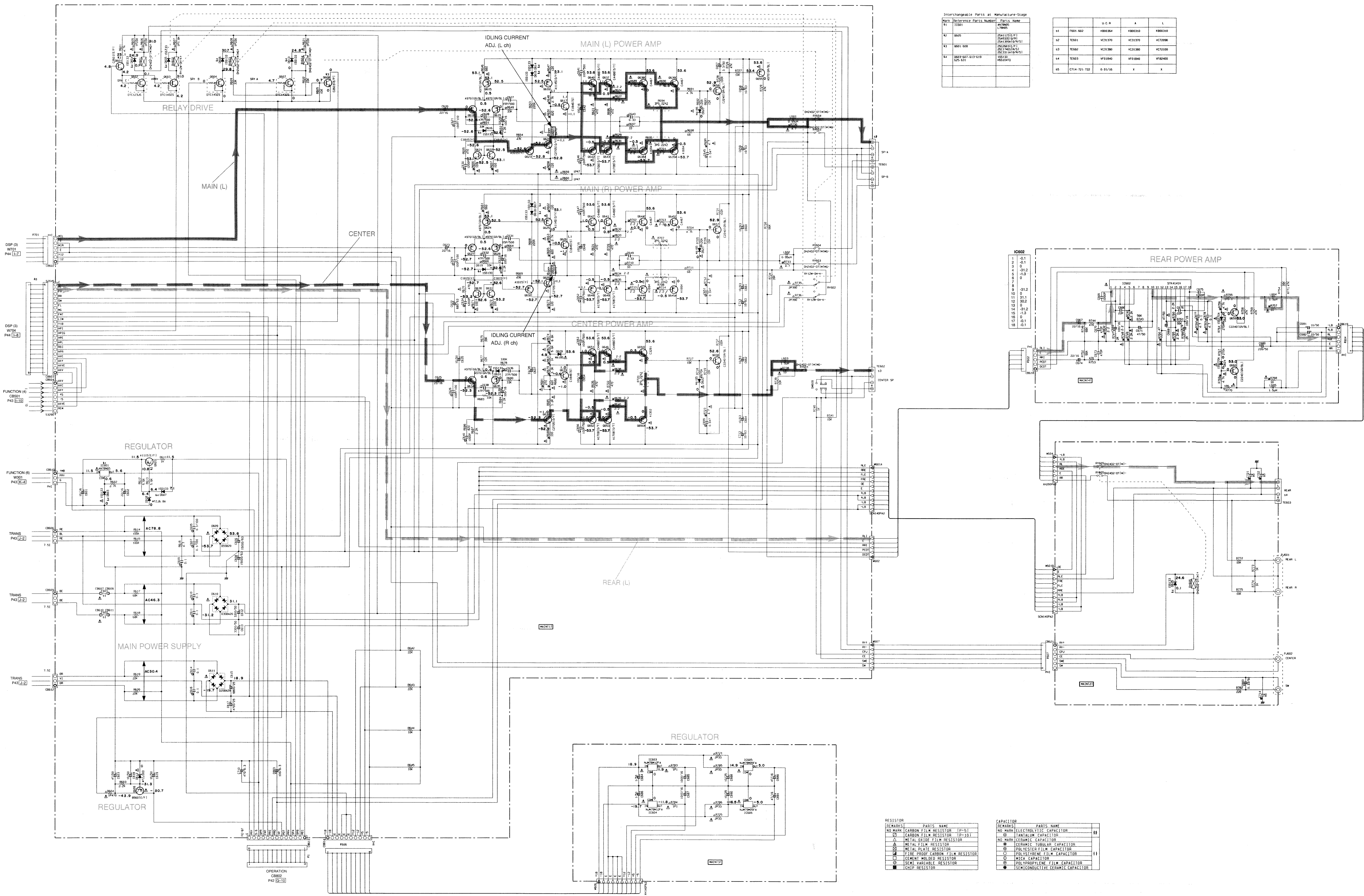
(*) : PCB FUNCTION (1)
(2) : CONCERT HALL/CHURCH/JAZZ CLUB/ROCK CONCERT/STADIUM
(3) : SPORTS/TV THEATER/70mm MOVIE THEATER ENHANCED

Interchangeable Parts at Manufacture Stage

Part No.	Part Name	IC301,303	IC3	IC3	IC3	IC3
1	IC3	---	---	---	---	---
2	IC3	---	---	---	---	---
3	IC3	---	---	---	---	---
4	IC3	---	---	---	---	---
5	IC3	---	---	---	---	---
6	IC3	---	---	---	---	---
7	IC3	---	---	---	---	---
8	IC3	---	---	---	---	---
9	IC3	---	---	---	---	---
10	IC3	---	---	---	---	---

All voltage are measured with a 10M Ω /DC electric volt meter. Components having special characteristics are marked Z. Components must be replaced with parts having specifications equal to those originally installed. Schematic diagram is subject to change without notice.

■ SCHEMATIC DIAGRAM (MAIN)



Interchangeable Parts at Manufacture-Stage

App. Reference Parts Number	Parts Name	Parts Name
11	10001	RESISTOR
12	0005	RESISTOR
13	0001 0009	RESISTOR
14	0001 0007 013 010 000 001	RESISTOR

	U.C.B.	A	L
11	F681 682	F880 884	F880 880
12	TE601	VC13370	VC13300
13	TE602	VC13380	VC13300
14	TE603	VF1840	VF1840
15	CTA-101-120	0-80710	X

RESISTOR	REMARKS	PARTS NAME
□	NO MARK	CARBON FILM RESISTOR (P=5)
○		CARBON FILM RESISTOR (P=10)
△		METAL OXIDE FILM RESISTOR
■		METAL FILM RESISTOR
◇		METAL PASTE RESISTOR
▲		FINE PRINT CARBON FILM RESISTOR
□		CEMENT RESISTOR
○		SEMI VARIABLE RESISTOR
■		TRIP RESISTOR

CAPACITOR	REMARKS	PARTS NAME
□	NO MARK	ELECTROLYTIC CAPACITOR
○		PANALUM CAPACITOR
△		NO MARK CERAMIC CAPACITOR
■		METAL CERAMIC CAPACITOR
◇		CERAMIC TUBULAR CAPACITOR
▲		POLYESTER FILM CAPACITOR
○		POLYSTYRENE FILM CAPACITOR
□		MICA CAPACITOR
◇		POLYPROPYLENE FILM CAPACITOR
■		SCREENED CERAMIC CAPACITOR

* All voltage are measured with a 10MΩ/DC electric volt meter.
 * Components having special characteristics are marked △ and must be replaced with parts having specifications equal to those originally installed.
 * Schematic diagram is subject to change without notice.